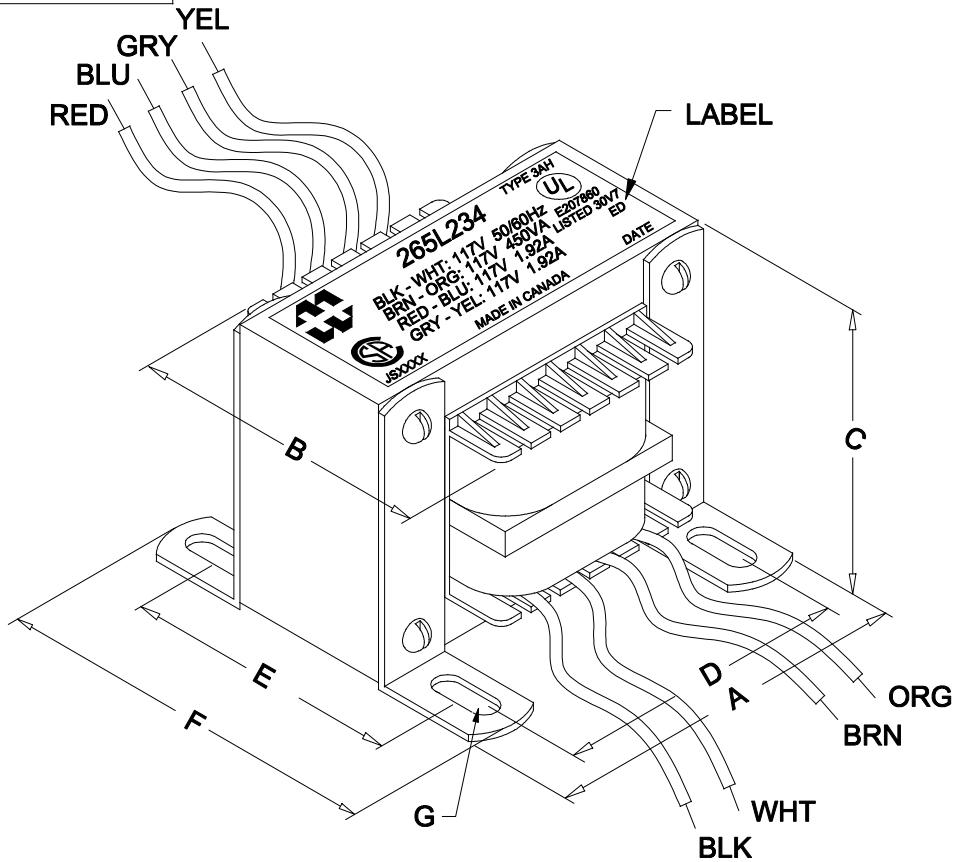
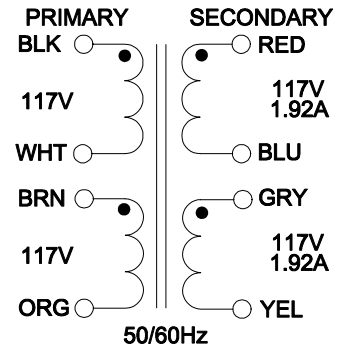


DIMENSIONS:	
A	4.500" ±0.063
B	4.920" ±0.125
C	3.750" ±0.063
D	3.750" ±0.063
E	4.100" ±0.063
F	4.662" ±0.063
G	0.203" X 0.375" ±0.015



NOTE: ALL LEADS 9.0" OUT MIN.



FOR 234V:
CONNECT WHT & BRN

FOR 117V:
CONNECT ORG & WHT,
BRN & BLK

FOR SERIES 234V @ 1.92A
CONNECT GRY & BLU

FOR PARALLEL 117V @ 3.84A
CONNECT YEL & BLU,
RED & GRY

ELECTRICAL DATA:		
TESTS	CONDITIONS	ACCEPTANCE CRITERIA
I _{ex}	@ 117V, 60Hz, BLK - WHT	525mA Max.
Sec. N.L.V	BRN - ORG =	117.0V ±2%
	RED - BLU =	120.6V ±2%
	GRY - YEL =	121.5V ±2%
DCR	@ 20°C, WHT - BLK =	0.733 Ω ±20%
	@ 20°C, BRN - ORG =	0.842 Ω ±20%
	@ 20°C, RED - BLU =	0.770 Ω ±20%
	@ 20°C, GRY - YEL =	0.907 Ω ±20%
HIPOT	PRIMARY - SECONDARY	4000V, 60Hz, 1 SEC

REV.#	REVISION	DATE	HAMMOND ELECTRONIC DIVISION		PH # (519) 886-6181 FAX # (519) 886-9540
0	RELEASED. C.I.	12/23/13	52 RANKIN PLACE, WATERLOO, ONTARIO, N2J 3Z5		
			DWG. BY: C. ILIE	CHK'D BY:	TITLE: POWER TRANSFORMER
			DATE: 12/23/13	APP'D. BY:	
				DIMENSIONS: IN(X) MM()	DWG. NO. 265L234